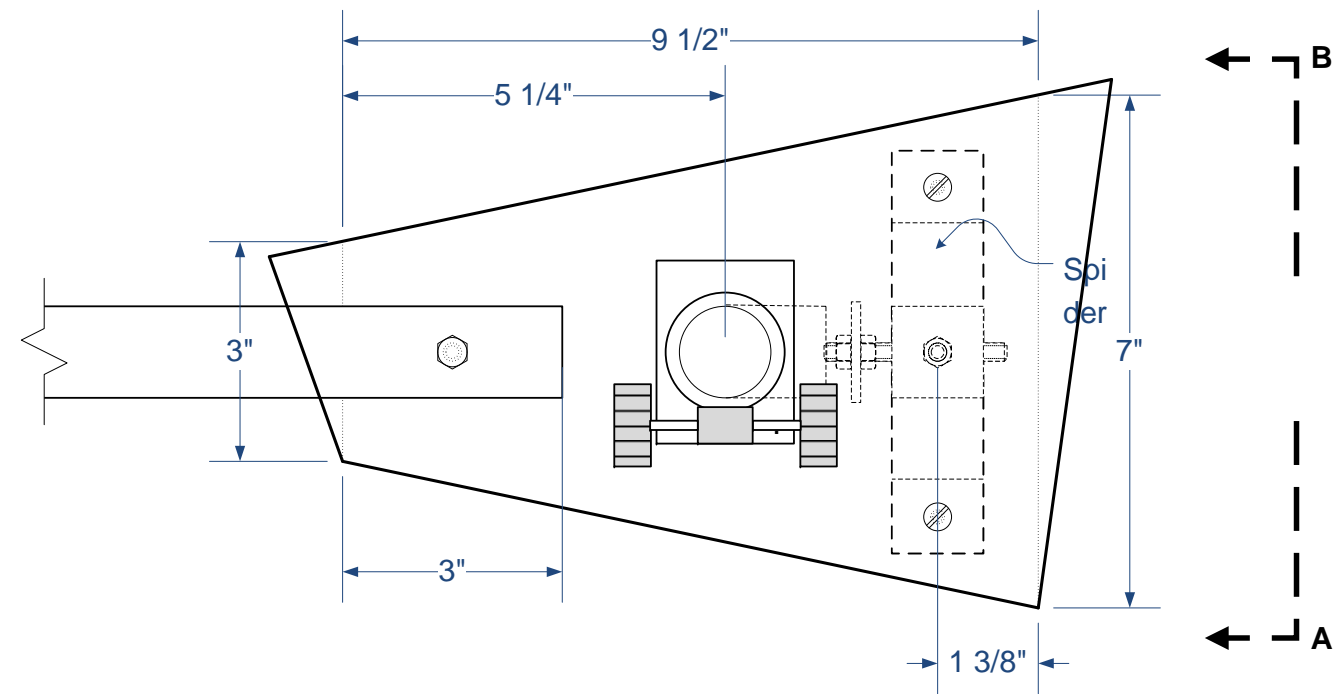
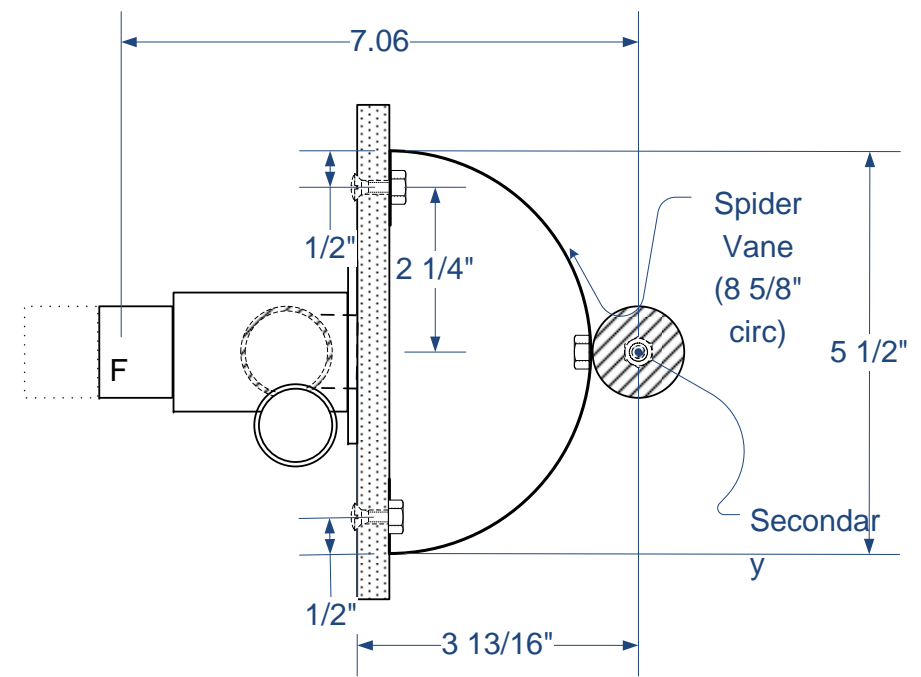


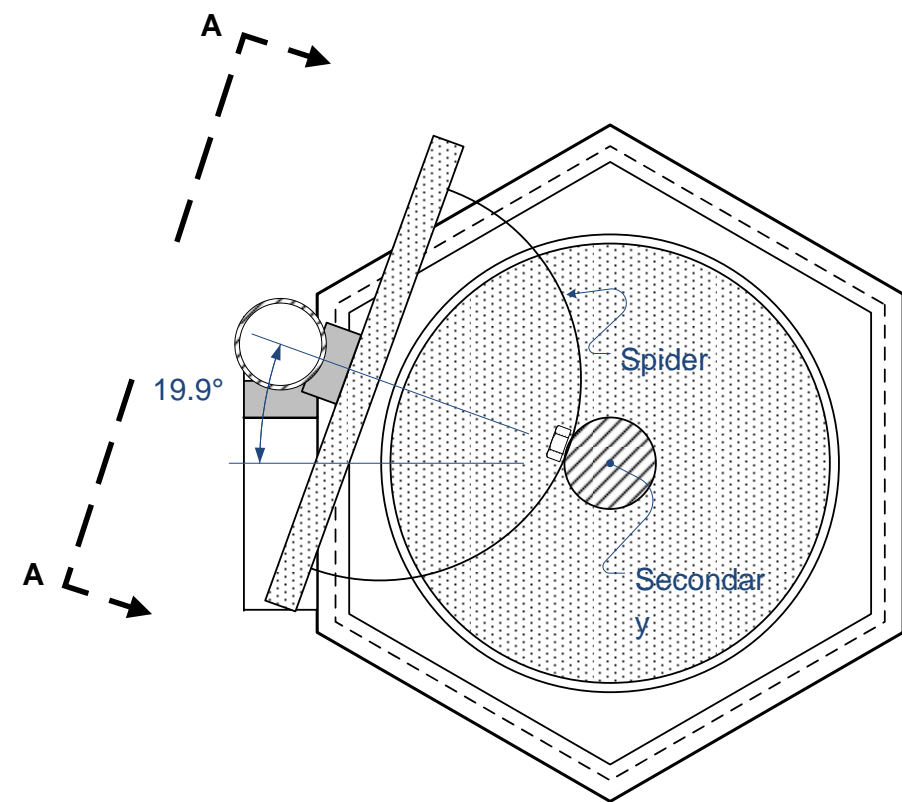
		<b>6" -f/8 - Monopole Scope</b>		
		<b>Mirror Box</b>		
SIZE	FSCM NO	DWG NO	REV	
		TVL0002	0	
SCALE	1 : 2.5	SHEET	1 OF 5	



Section A-A

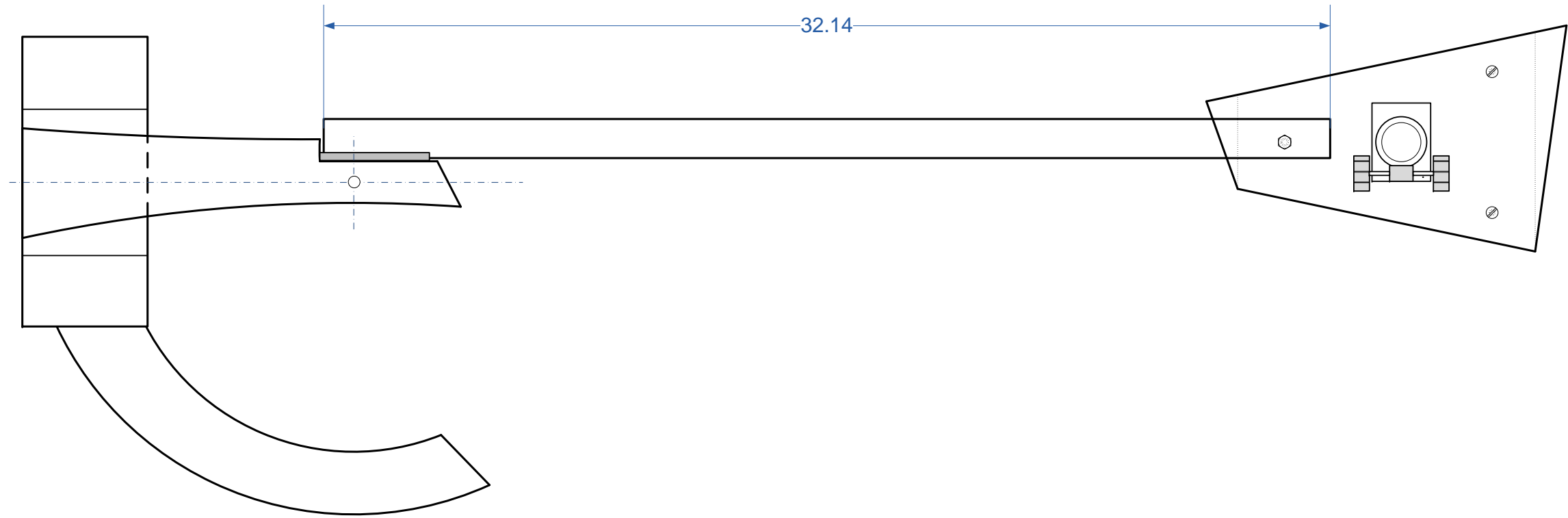


Section A-B

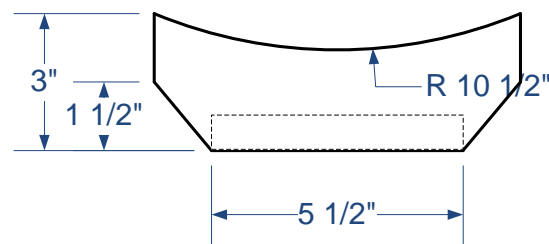
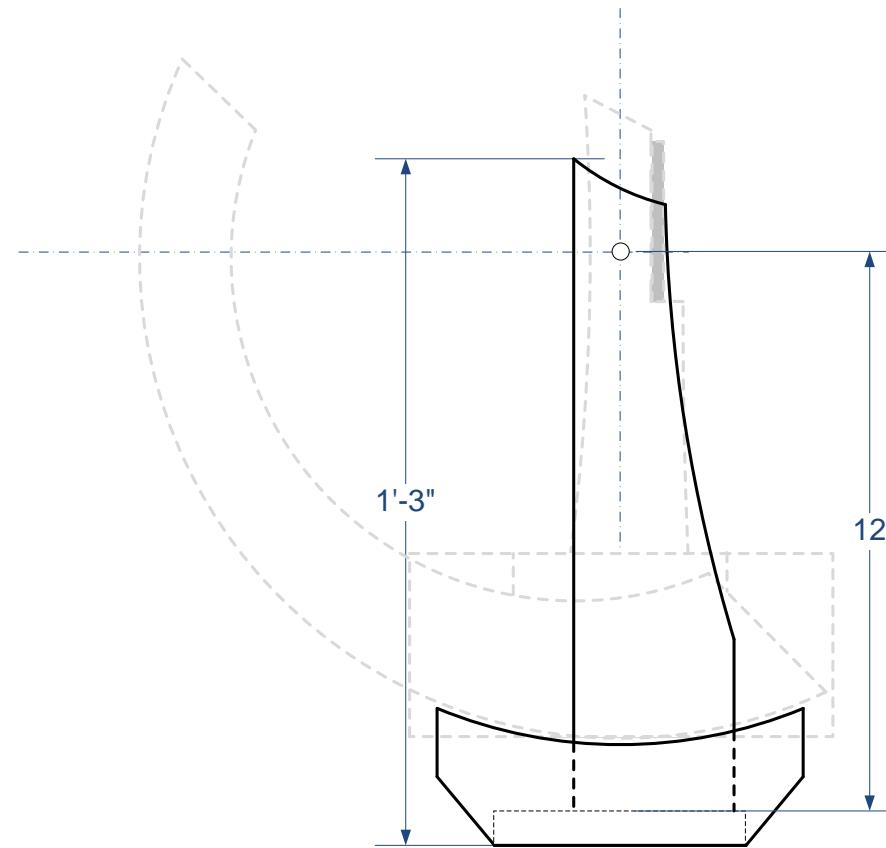
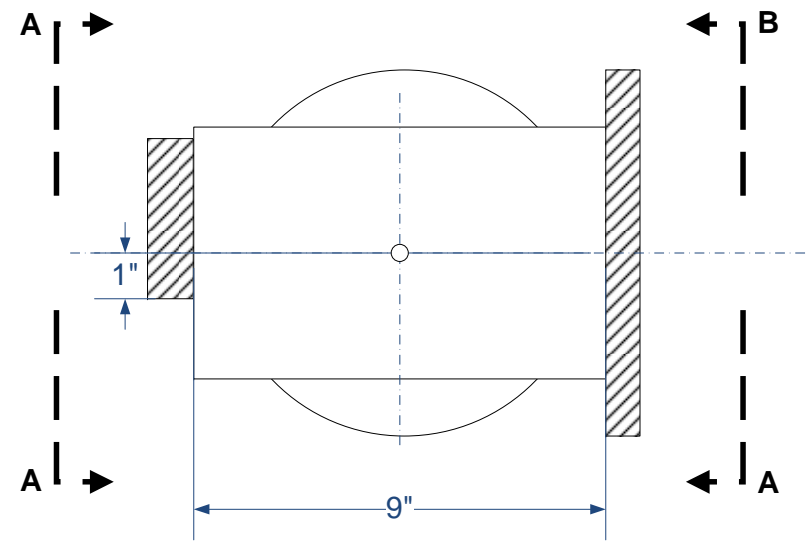


Front View

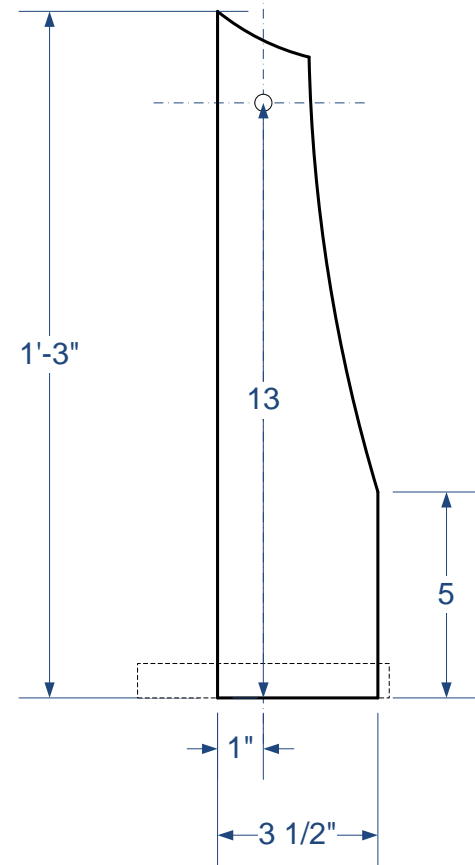
		<b>6"-f/8 - Monopole Scope</b>		
		<b>Focuser Board</b>		
	SIZE	FSCM NO	DWG NO	REV
			<b>TVL0002</b>	<b>0</b>
	SCALE	<b>1 : 2.5</b>	SHEET	<b>2 OF 5</b>



		6"-f/8 - Monopole Scope		
		Overall Layout of Optical Assembly		
	SIZE	FSCM NO	DWG NO	REV
			TVL0002	0
	SCALE	1 : 4	SHEET	3 OF 5

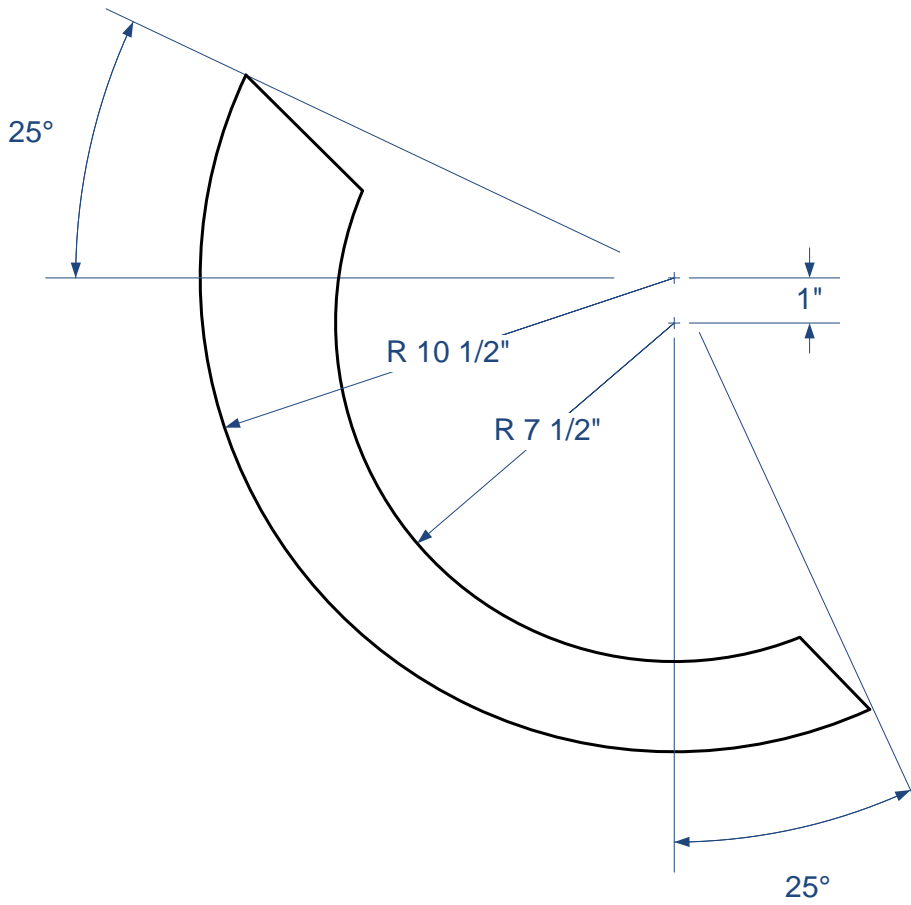


Section A-B



Section A-A

		<b>6"-f/8 - Monopole Scope</b>			
		Base			
	SIZE	FSCM NO	DWG NO	REV	
			TVL0002	0	
	SCALE	1 : 4	SHEET	4 OF 5	



		<b>6"-f/8 - Monopole Scope</b>		
		Altitude Bearing		
	SIZE	FSCM NO	DWG NO	REV
			TVL0002	0
	SCALE	1 : 4	SHEET	5 OF 5