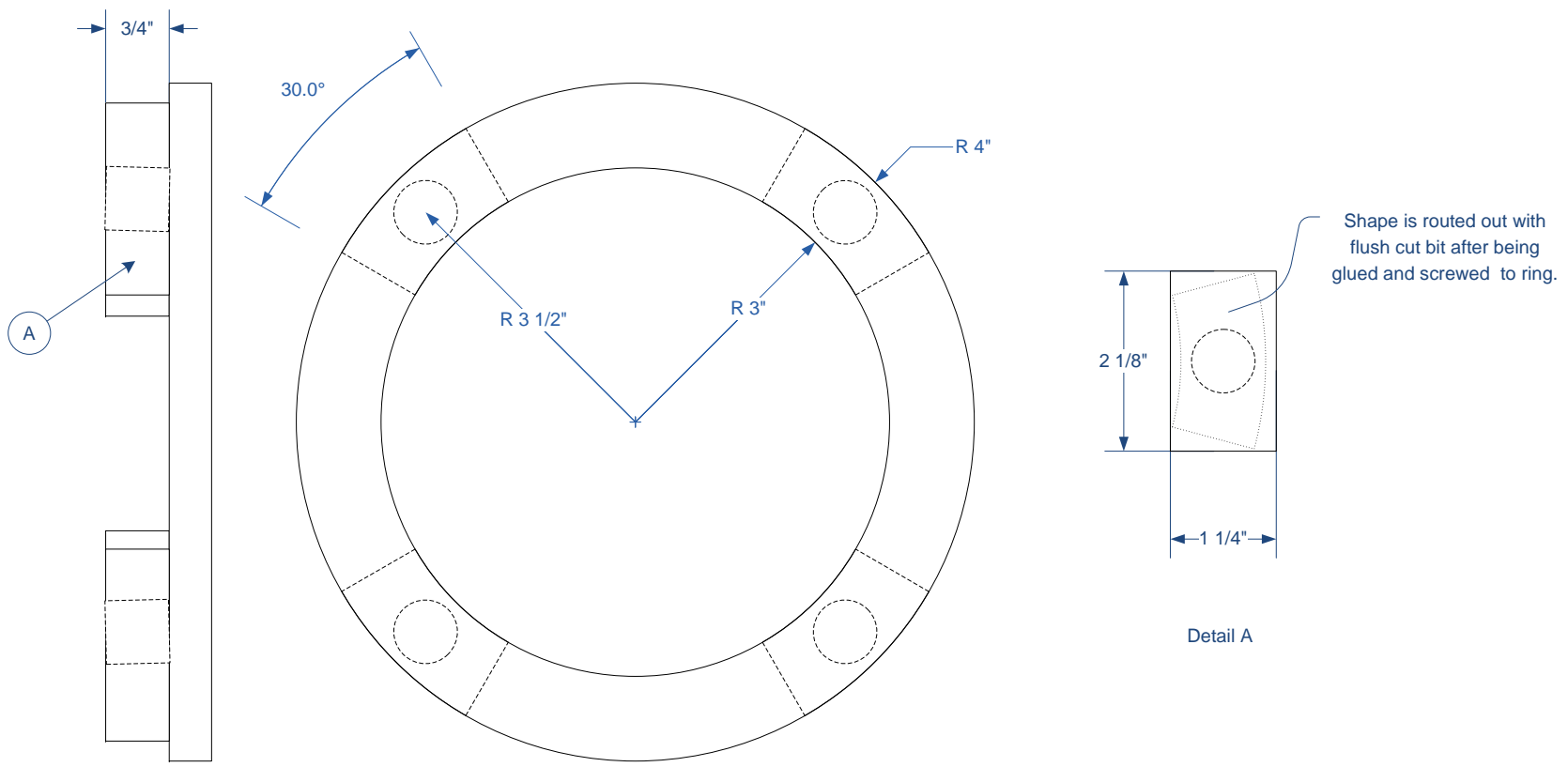
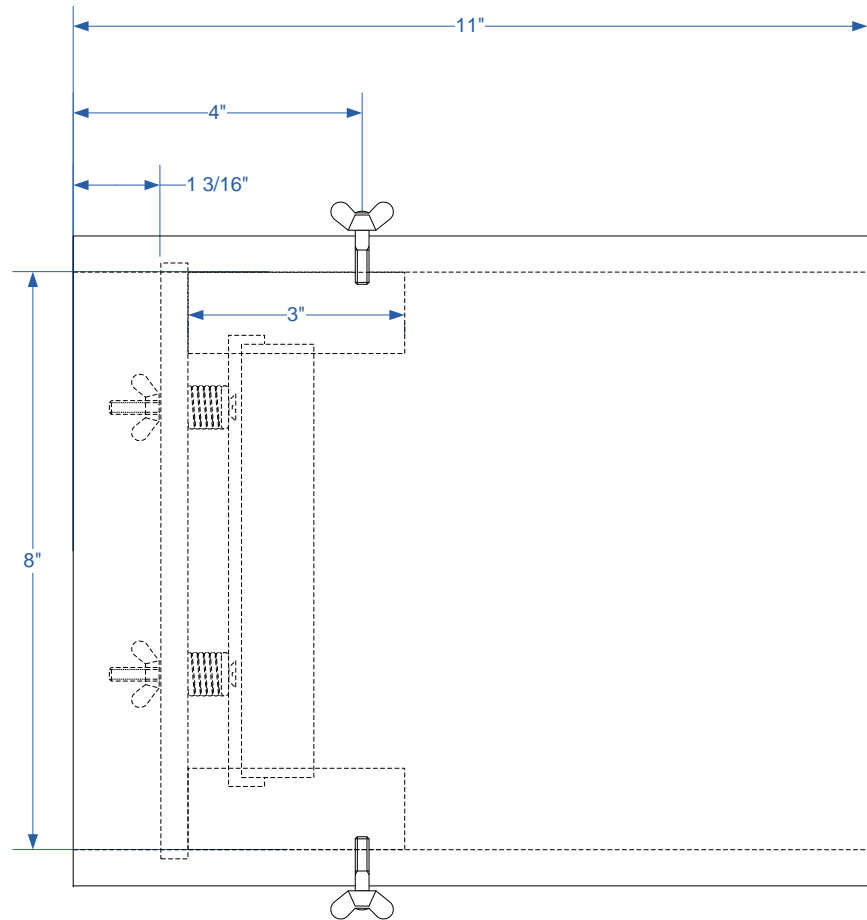
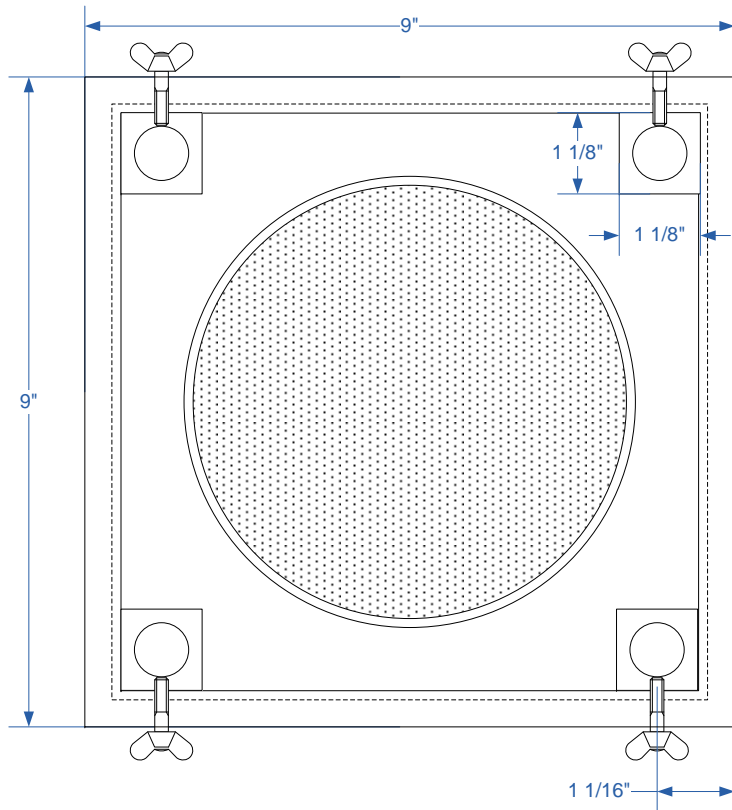


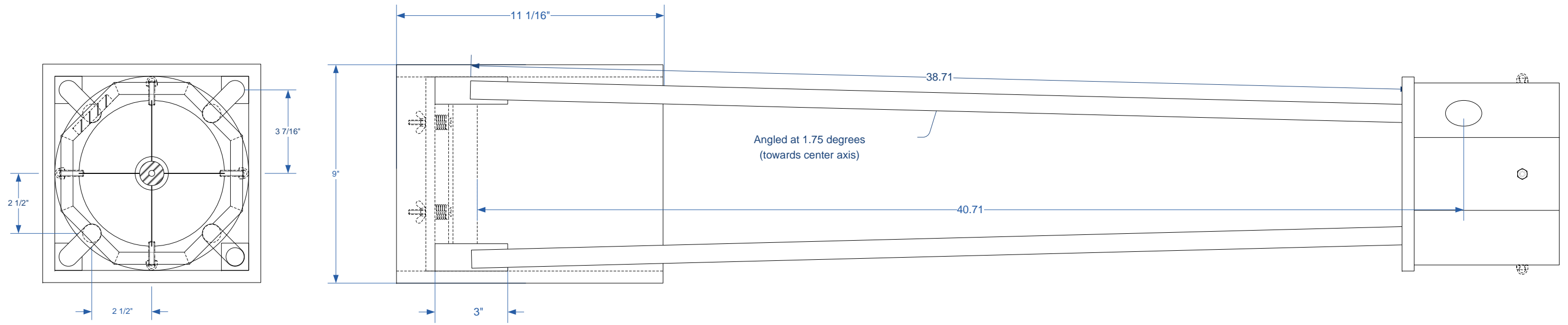
		6-inch Truss Tube Dobsonian		
		Secondary Cage		
	SIZE	FSCM NO	DWG NO	REV
			TVL0001	0
	SCALE	1 : 2	SHEET	1 OF 6



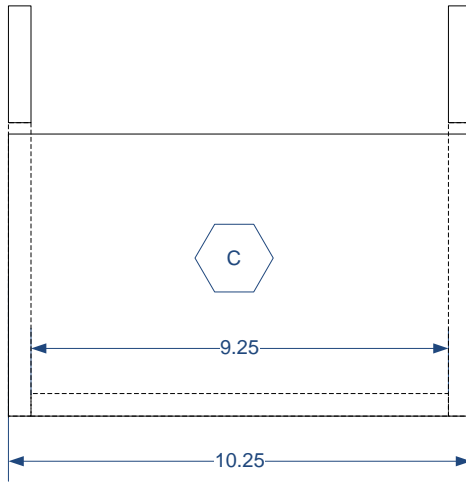
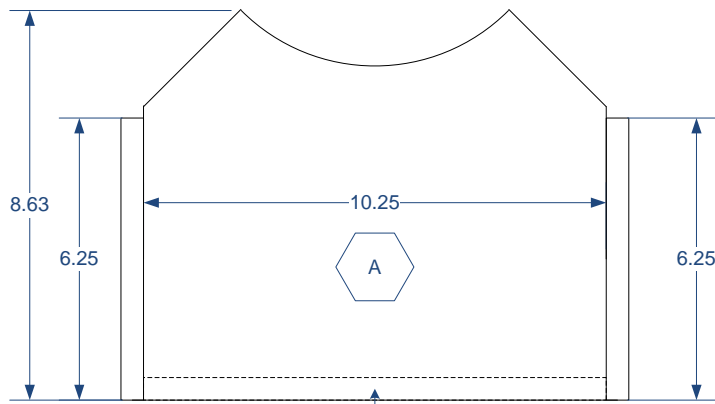
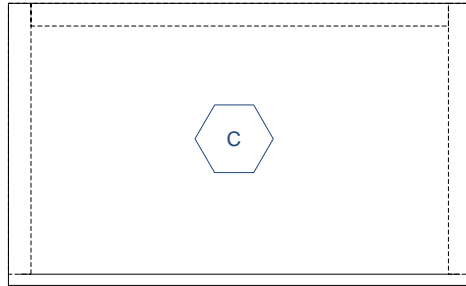
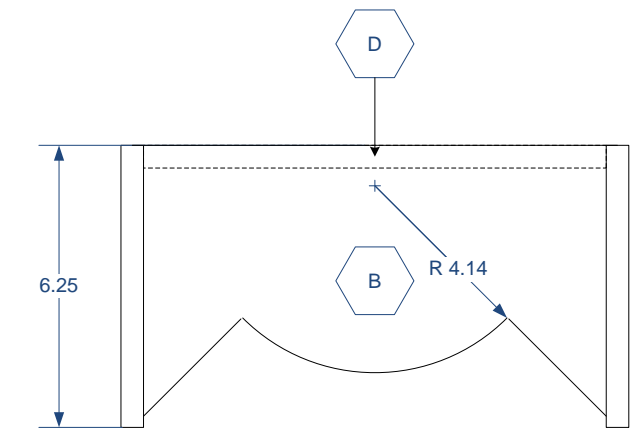
		6-inch Truss Tube Dobsonian			
		Details of Lower Ring on Secondary Cage			
	SIZE	FSCM NO	DWG NO	REV	
			TVL0001	0	
	SCALE	1 : 2	SHEET	2 OF 6	



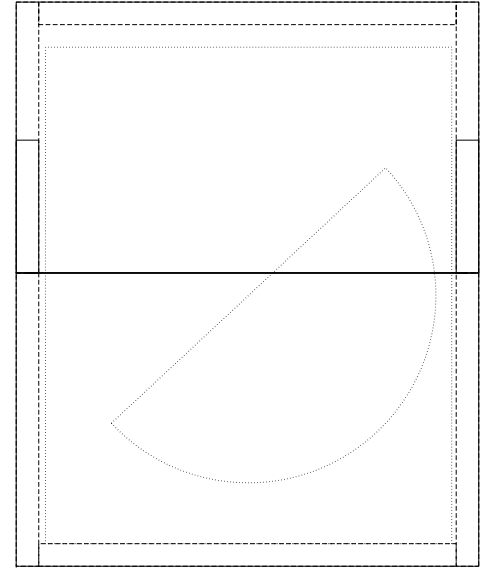
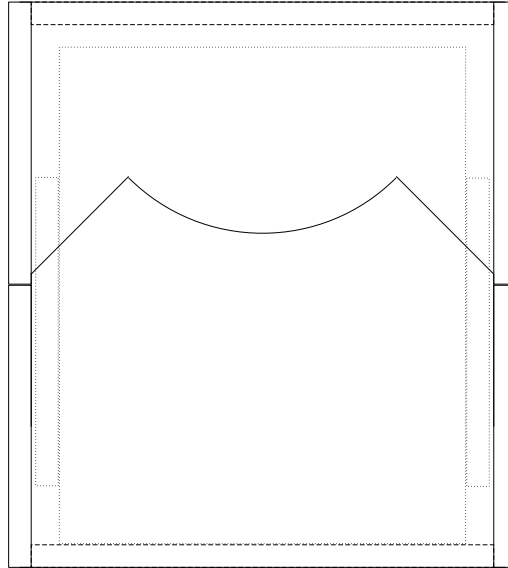
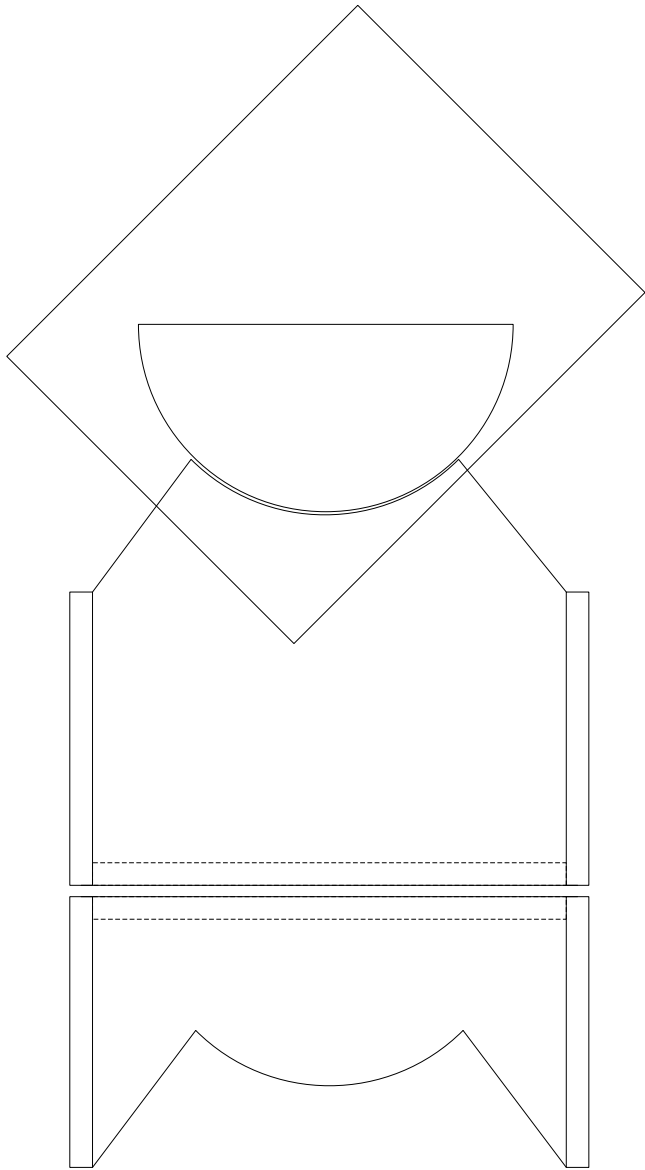
		6-inch Truss Tube Dobsonian		
		Mirror Box		
	SIZE	FSCM NO	DWG NO	REV
			TVL0001	0
	SCALE	1 : 2.5	SHEET	3 OF 6



		6-inch Truss Tube Dobsonian		
		Overall Layout of Optical Tube		
	SIZE	FSCM NO	DWG NO	REV
			TVL0001	0
	SCALE	1 : 4	SHEET	4 OF 6



		6-inch Truss Tube Dobsonian		
		Base		
	SIZE	FSCM NO	DWG NO	REV
			TVL0001	0
	SCALE	1 : 4	SHEET	5 OF 6



		6-inch Truss Tube Dobsonian		
		Base Arrangement		
	SIZE	FSCM NO	DWG NO	REV
			TVL0001	0
	SCALE	1 : 4	SHEET	6 OF 6